

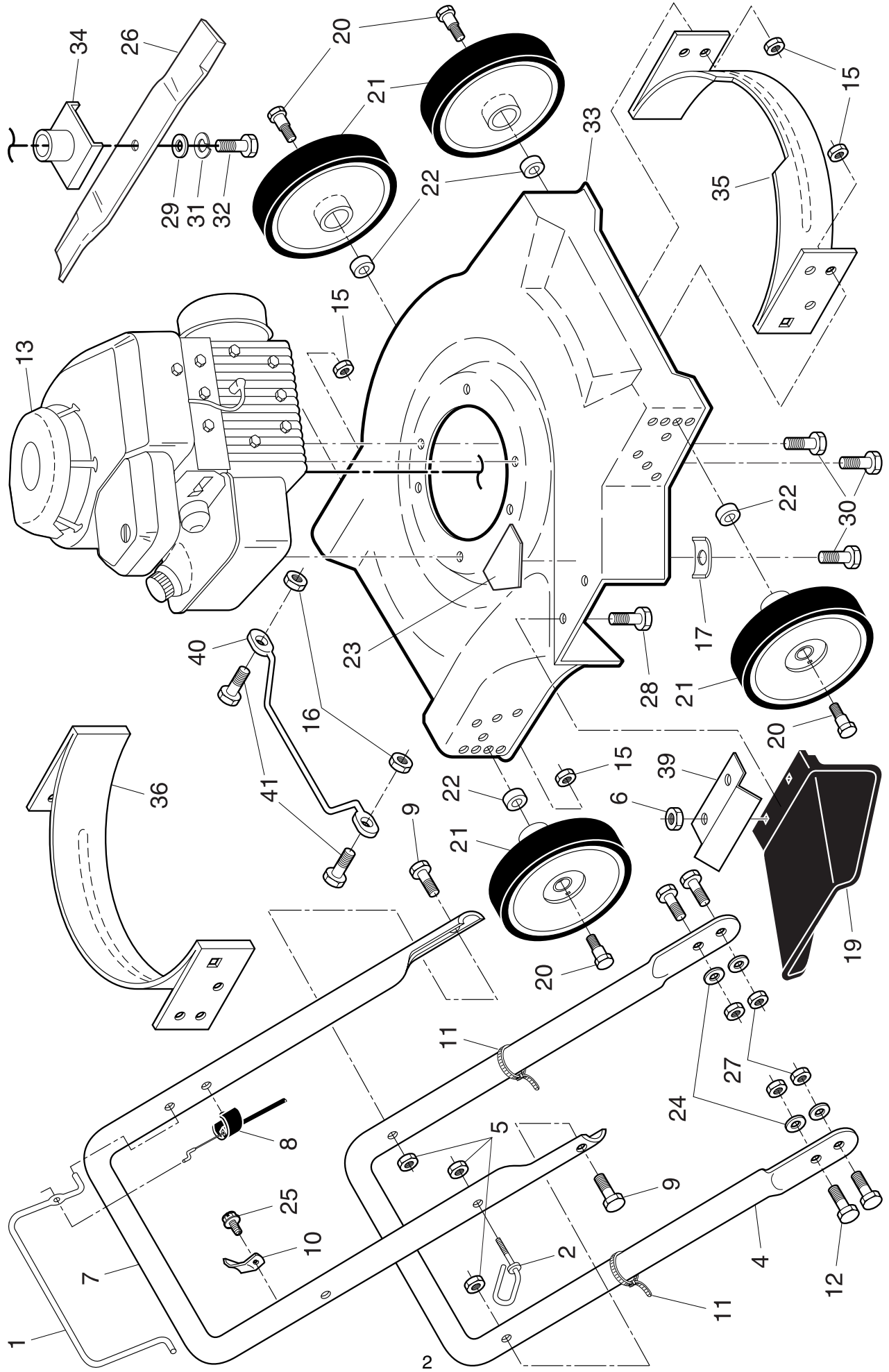
ILLUSTRATED PARTS LIST

**CUSTOMER MODEL NUMBER P350KD**

**PRODUCT NUMBER 961 11 00-04**

**MFG. ID. NUMBER 96111000400**

ROTARY LAWN MOWER -- CUSTOMER MODEL NO. P350KD (96111000400) PRODUCT NO. 961 11 00-04



**ROTARY LAWN MOWER - - CUSTOMER MODEL NO. S350KD (96111000500) PRODUCT NO. 961 11 00-05**

KEY NO.	PART NO.	DESCRIPTION	KEY NO.	PART NO.	DESCRIPTION
1	532 19 55-74	Control Bar	23	532 18 21-66	Danger Decal
2	532 17 95-85	Rope Guide	24	532 05 56-11	Washer, Flat
4	532 19 61-77	Lower Handle	25	532 75 06-34	Screw, Threaded, Rolled #10-24 x 1/2
5	532 13 20-04	Nut, Hex 1/4-20	26	532 14 51-06	Blade, 20"
6	873 80 04-00	Locknut, Hex 1/4-20	27	532 13 20-10	Nut, Hex, Flangelock, Zinc Plated 3/8-16
7	532 19 61-76	Upper Handle	28	874 76 04-12	Bolt
8	532 16 27-78	Engine Zone Control Cable	29	532 85 10-74	Washer, Hardened
9	874 35 04-24	Bolt, Handle	30	532 15 04-06	Screw, Hex Head, Threaded, Rolled 3/8-16 x 1
10	532 12 52-03	Up-Stop Bracket	31	532 85 02-63	Helical Lock Washer
11	532 06 64-26	Wire Tie	32	532 85 10-84	Screw, Machine, Hex Head, Grade 8, 3/8-24 x 1-3/8
12	532 13 70-09	Bolt, Hex Head 3/8-16 x 1	33	532 19 52-76	Housing Assembly
13	---	Engine, Briggs & Stratton, Model Number 9D902 (order parts from engine manufacturer)	34	532 85 09-77	Blade Adapter
15	532 75 15-92	Locknut, Hex 5/8-16	35	532 14 15-19	Baffle, Front
16	532 06 19-80	Locknut, Hex #10-24	36	532 14 15-20	Baffle, Rear
17	532 12 50-78	Engine Washer, Zinc Plated	39	532 16 22-34	Hold Down Bracket
19	532 75 20-52	Discharge Guard	40	532 15 41-47	Footguard
20	532 06 76-09	Bolt, Shoulder 3/8-16 x 2-1/2	41	532 08 58-25	Hex Washer Head Self-Tapping Screw
21	532 80 00-60	Wheel & Tire Assembly	--	532 18 21-34	Decal, Warning (not shown)
22	532 13 66-24	Spacer	--	532 19 52-72	Operator's Manual, European
			--	532 19 52-73	Operator's Manual, Scandinavian

**NOTE:** All component dimensions given in U.S. inches. 1 inch = 25.4 mm. **IMPORTANT:** Use only Original Equipment Manufacturer (O.E.M.) replacement parts. Failure to do so could be hazardous, damage your lawn mower and void your warranty.